



TECHNICAL DATA

MASSES

Max. operating mass	3,700 lbs
Operating mass (incl. ROPS)	3,500 lbs
Front module mass	1,650 lbs
Rear module mass	1,850 lbs

COMPACTION

Centrifugal force	3,821.94 lbs
Nominal amplitude	0.016 in
Static linear load (front/rear)	46 /53 lbs/in
Vibration frequency	4,200 vpm
Water tank	30 gal

PROPULSION

Speed range	0-6 mph
Vertical oscillation	±6°

ENGINE

Manufacturer/Model	Kubota D1105-E4B T4f
Type	Water cooled diesel
Rated power, SAE J1995	24 hp @ 2,800 rpm
Fuel tank capacity	6 gal

ENGINE

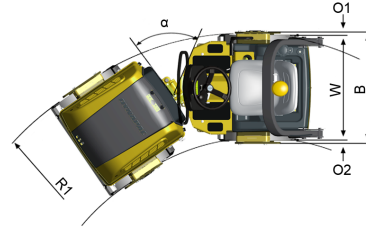
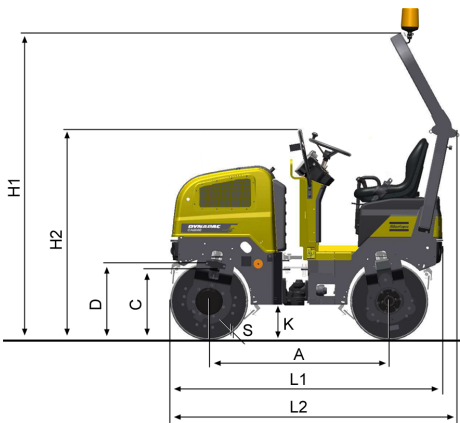
Manufacturer/Model	Perkins 403D-11
Type	Water cooled diesel
Rated power, SAE J1995	23.5 hp @ 2,600 rpm

HYDRAULIC SYSTEM

Driving	Axial piston pump with variable displacement and servo. 2 radial piston motors with constant displacement.
Vibration	Gear pump/motors with constant displacement.
Steering	Gear pump with constant displacem.
Service brake	Hydrostatic in forward and reverse lever.
Parking/ Emergency brake	Failsafe brake in both drums.

Find us locally at www.dynapac.us

We reserve the right to change specifications without notice. Photos and illustrations do not always show standard versions of machines. The above information is a general description only, all information's are supplied without liability.



DIMENSIONS

DIMENSIONS

A. Wheelbase	53 in
B. Width	38 in
C. Curb clearance	18 in
D. Drum diameter	23 in
H1. Height, with ROPS/cab	91 in
H2. Height, w/o ROPS/cab	62 in
K. Ground clearance	10 in
L1. Length	80 in
L2. Length (ROPS)	82 in
O1. Overhang, right	1.4 in
O2. Overhang, left	1.4 in
R1. Turning radius, outside	111 in
S. Drum shell thickness	0.5 in
W. Working width	35 in
α. Steering angle	±34°

STANDARD EQUIPMENT

Auto Vibration Ctrl (AVC), Auto Water Ctrl (AWC), Back up alarm, Central lifting eye, Cup/Can holder, Emergency stop, Foldable ROPS, Fuel gauge, Horn, Hourmeter, Hydraulic pressure checkpoints, Ignition key, Interlock brake, Pressurized sprinkler system, Rubber mounted operator's platform, Seat belt, Sprinkler timer, Towing eyelet front/rear, Vibrations both drums, Warning lights; Brake -Charging - Engine oil pressure /water temp -Low fuel

Find us locally at www.dynapac.us

We reserve the right to change specifications without notice. Photos and illustrations do not always show standard versions of machines. The above information is a general description only, all information's are supplied without liability.